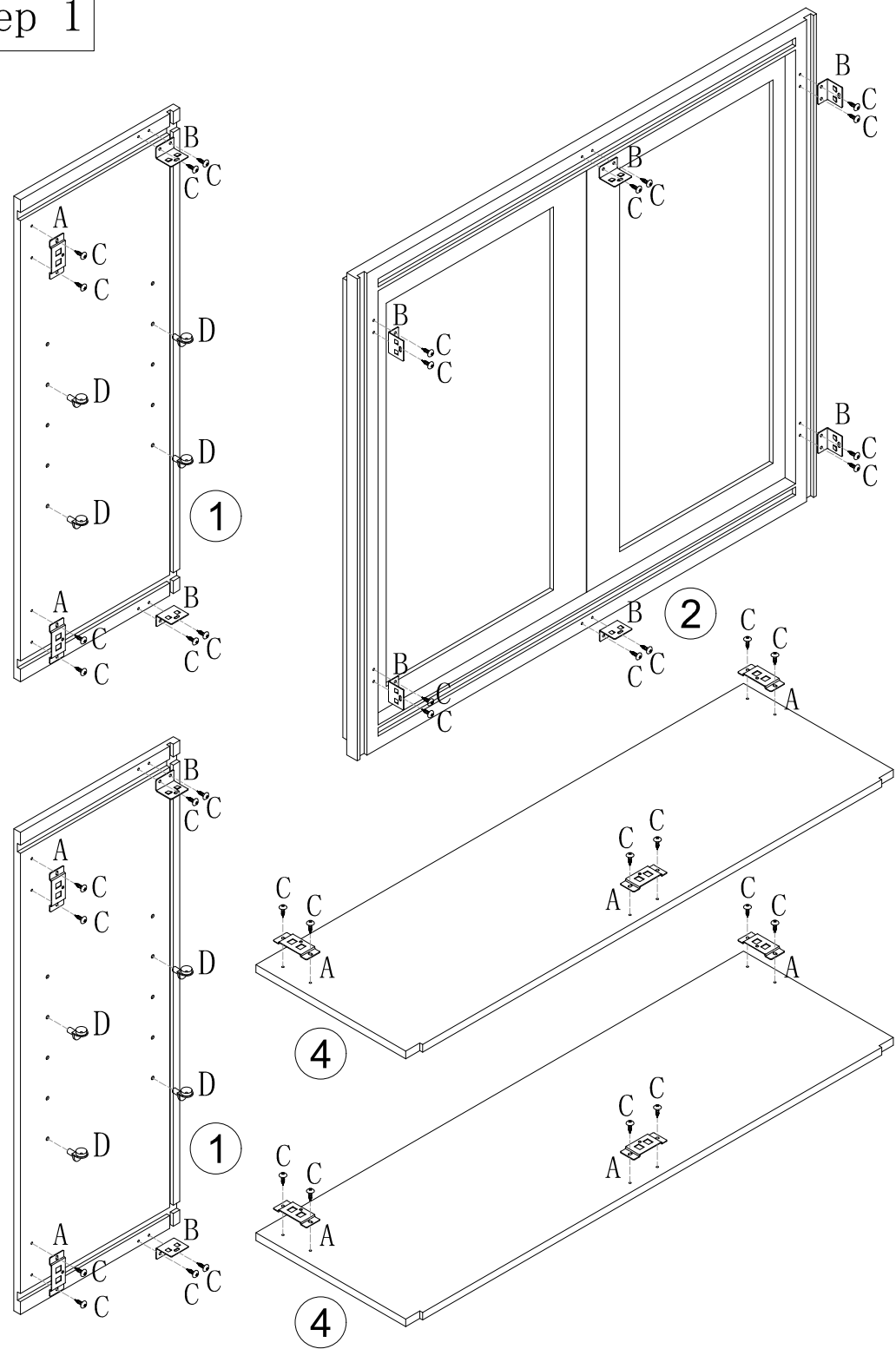
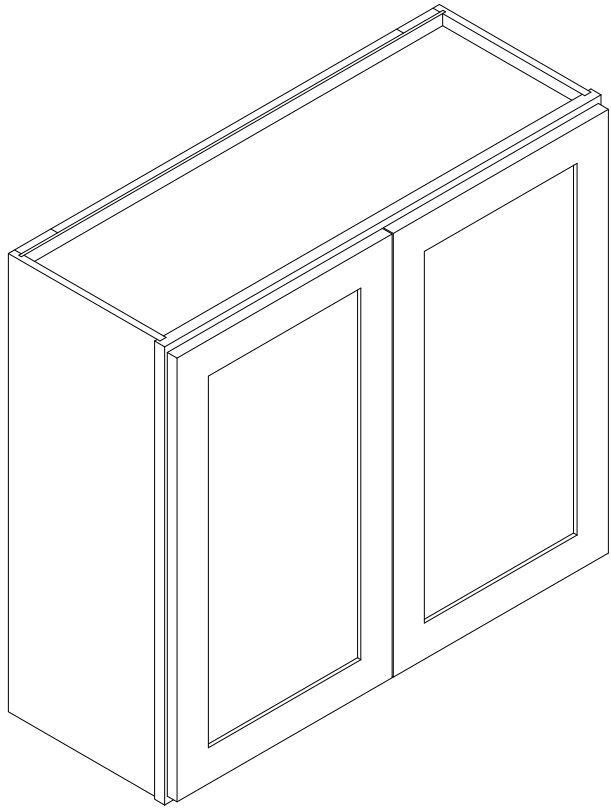


# ASSEMBLY INSTRUCTIONS

W3630

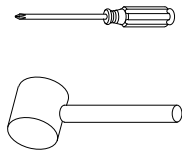
## Step 1



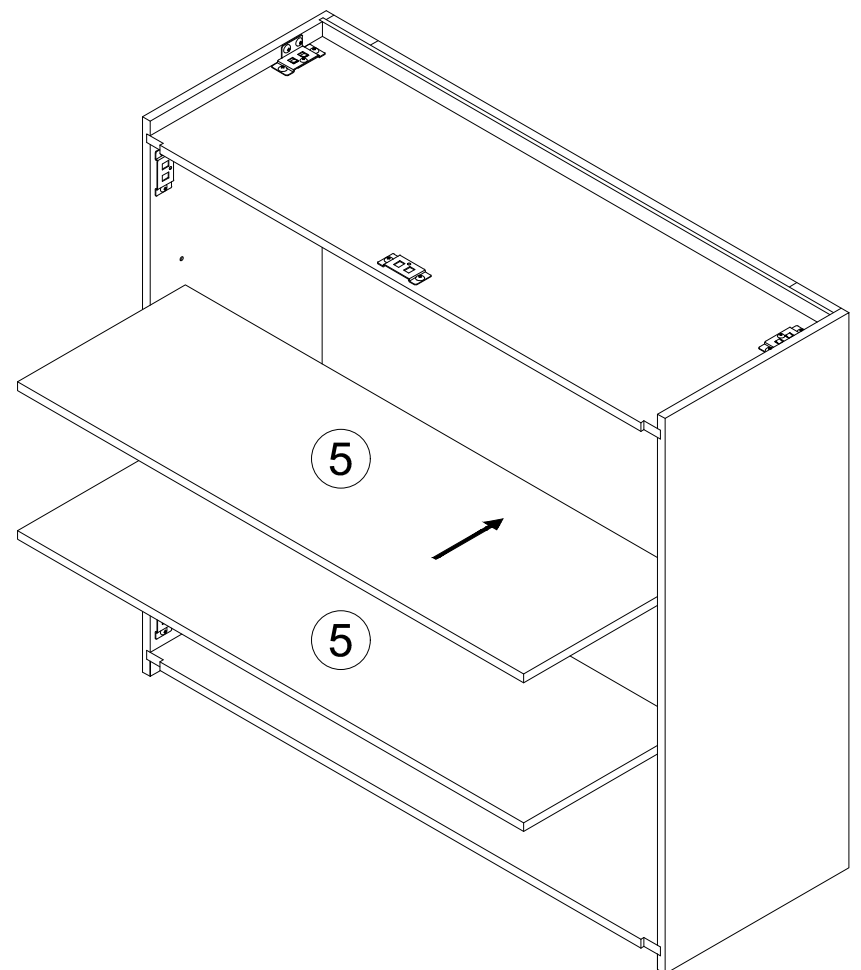
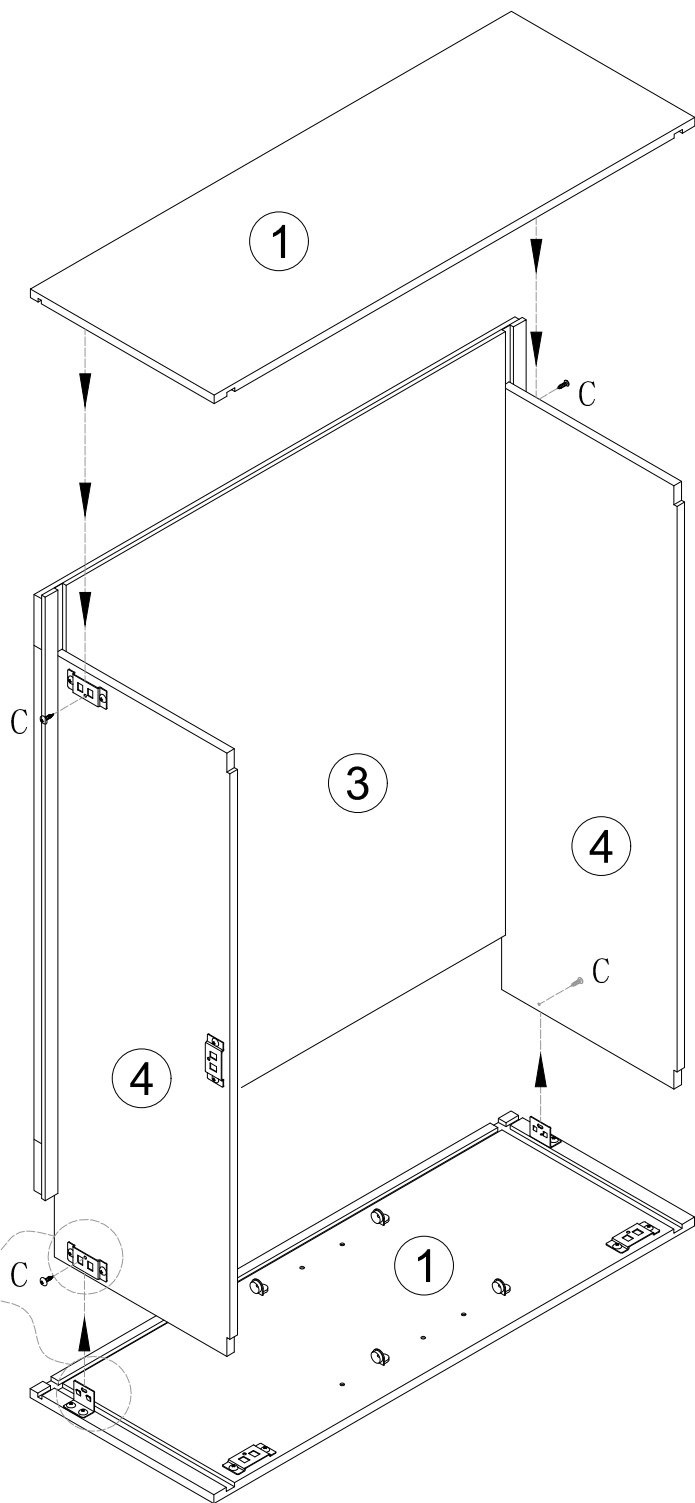
### Parts list

NO.	Parts	QTY
A		10
B		10
C	 (M4*0.47")	50
D		8
E	 (T4*0.98")	2

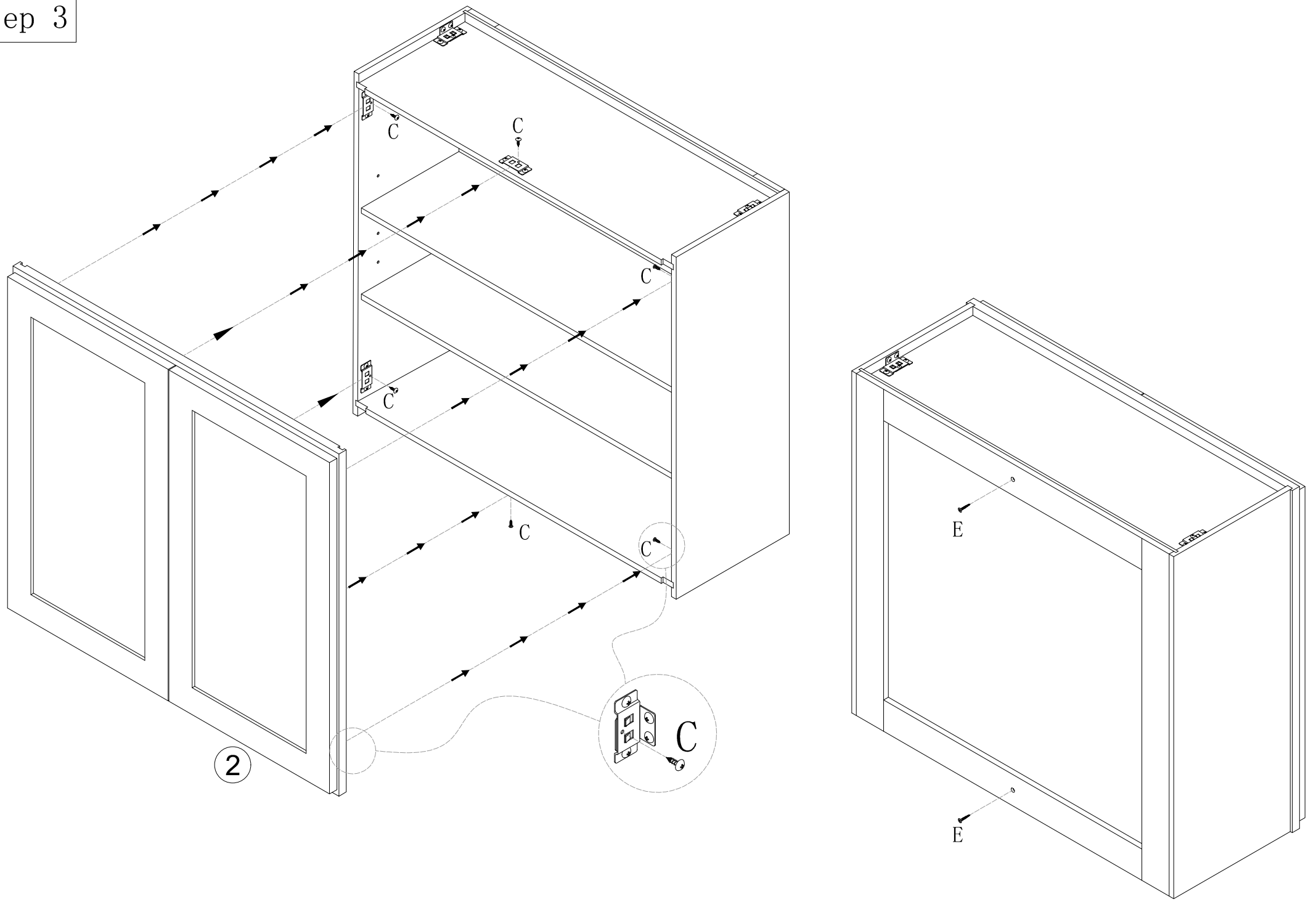
### Tools (required but not provided)



## Step 2



Step 3



Finished

